





Safety warnings

Warning:

- Please read the instructions carefully before using this product and never use it for any other purposes than those listed here.
- Please remove all packaging before use.
- When unplugging the device, please hold the whole device firmly in your hand. Do not pull on the lid!
- If the appliance is not to be used for a longer period, unplug it, clean it, and allow it to dry completely.
- The precautions listed in this user manual are intended to ensure a safe and proper use of the Aroma Plug-In Easy and thereby protect the user or other persons from any hazards and the device from damage. Be absolutely sure to follow the instructions below!

Warning:

-  This device can be used by children over the age of 8 and persons with reduced physical, sensory or mental capabilities if they are supervised appropriately or have been given sufficient instructions on how to safely use this device. They must have understood the potential dangers and be able to recognize the associated risks. Children must not play with the device. Cleaning and servicing may only be carried out by children if supervised by adults.
-  In the event of smoke, an abnormal smell, unusual sounds, or other anomalies, please stop using the device immediately and unplug it.
-  Do not modify, repair, or dismantle this product, as this may result in fire, electric shock, or other damages.
-  When the device is not used for a longer period of time, it must be unplugged from the power supply, otherwise, it may malfunction or an electric shock may occur.
- **The device must always be switched off, disconnected from the power supply and allowed to cool down before it is refilled, cleaned or serviced.**
- Please avoid dripping essential oil onto the exterior of the device or onto furniture. If this does accidentally occur, wipe off immediately to avoid discoloration of the exterior of the product or the furniture.
- The device is not medical equipment. Use only as a fragrance device, not for inhalation.
- In the event of pregnancy, lung disease, cancer, epilepsy, or other illnesses, please consult your doctor or alternative practitioner.
- Stop using the product and open the window for ventilation if you are starting to feel unwell.
- Do not handle the device or the socket with wet hands and do not allow water or other liquids to spill into the device, as this may result in electric shock.
- If water gets into the inside of the device, disconnect the Aroma Plug-In Easy immediately from the power supply and let it air dry for at least 3 days before using it again.
- The appliance is only to be used with the recommended vaporizing medium. The use of other substances may give rise to a toxic or fire risk.
- The appliance has hot surfaces to evaporate the active ingredients and these surfaces should not be touched during use.



This device is **NOT** a toy. Not suitable for use by children. Keep the device, all parts/components, and the power cable out of the reach of children. Children should be supervised to ensure that they do not play with this device.

Please only use this Aroma Plug-In Easy under adult supervision. Please read the instructions and cautionary information before using this device for the first time.

Small parts may be swallowed and are therefore a choking hazard. Hence, please keep these parts out of reach of children.

To avoid fire, electric shock, injury or damage, do not place the device in the areas listed below:

- Environment exposed to direct sunlight and temperatures under 10 °C or over 30 °C
- Near ignition sources
- Near pressurized containers or combustibles

Please ensure that the scented rooms are adequately ventilated.

Caution:

1. The device may only be operated from a tested and properly functioning socket. It may not be used on a multiplug or an extension lead.
2. Never apply liquids directly to the pad while it is in the device. Rather always remove it first, drizzle liquid onto it, and then re-insert it into the device.
3. Please only apply 5-6 drops onto the pad and do not over-soak it, as essential oil may otherwise get into the device or cause spots to appear on the casing or in its environment.
4. For the best results, we recommend that you use 100% pure and natural fragrance blends. Artificial fragrances and aromas can pollute and damage the device.
5. Do not use any viscous or intensely pigmented oils, as these may damage the device.
6. Do not use any other liquids other than 100% pure and natural fragrance blends.
7. Permanent use of the Aroma Plug-In Easy may damage the device in the long term and shorten its service life.
8. When the Aroma Plug-In is in use, it may not be covered up.
9. The device should only be used indoors. Not intended for use in humid rooms.
10. Do not immerse in water or other liquids.
11. After using the device, allow it to cool down, clean it, and store it in a dry place.
12. This device is intended for PERSONAL USE only. It may only be used for the purposes described here. Only use the accessories recommended by the manufacturer. This applies particularly to the spare pads.
13. If any damage occurs to the casing or the electrical parts, the device should not be operated. In this case, please contact us or have the device repaired by authorized specialized personnel. Please do not open the device or electrical parts yourself under any circumstances, and do not modify the device.

Safety instructions for the use of essential oils and fragrance blends

Please carefully read the enclosed user manual and the information on the label of the essential oils and fragrance blends you are using.

Do not use viscous, heavily staining or diluted essential oils, as these can damage the device. You can find more information on this in our online shop or at the PRIMAVERA customer service or Online www.primaveralife.com/aroma-duftstecker-easy.html.

Disposal

If this electronic device is no longer used, all consumers are legally obliged to dispose of it separately from unsorted household waste. Electric devices are, therefore, marked with the symbol shown below. You can deposit devices at the collection point of the public waste management authorities or at disposal points set up by the manufacturers and retailers in line with the German Electrical and Electronic Equipment Act (ElektroG). You can find an online directory of collection and disposal points in Germany at www.ear-systems.de. These collection points are regulated according to 2012/19/EU, subject to state and legislation.



Disclaimer

We accept no liability for damage resulting from incorrect use of this device or for damage caused from the use of essential oils. We reserve the right to make technical changes to the fragrance device as well as changes to the contents of these instructions.

Modell:	Aroma Plug-In Easy / NA-327
Capacity:	5-6 drops of a 100% pure and natural fragrance blend
Operating mode button:	2 hours of continuous operation, after that automatic switch-off
Heating temperature:	ca. 54 °C (+/- 5 °C)
Material:	High-quality BPA-free plastic and stainless steel
Power supply input:	220-240V~, 50Hz, 5,5W
Area covered by fragrance:	approx. 10m ²

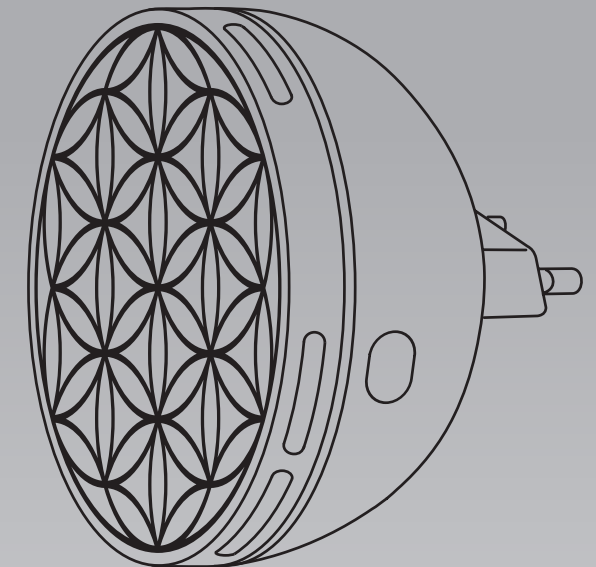
PRIMAVERA LIFE GMBH
Naturparadies 1
87466 Oy-Mittelberg, Germany
www.primaveralife.com



PRIMAVERA®

Easy

AROMA PLUG-IN



Important Information About Usage And Cleaning

Dear customer,

Thank you for choosing the Aroma Plug-In Easy.

As we would like you to enjoy your high-quality Aroma Plug-In as long as possible, we ask you to read this user guide carefully and to follow all safety instructions precisely.

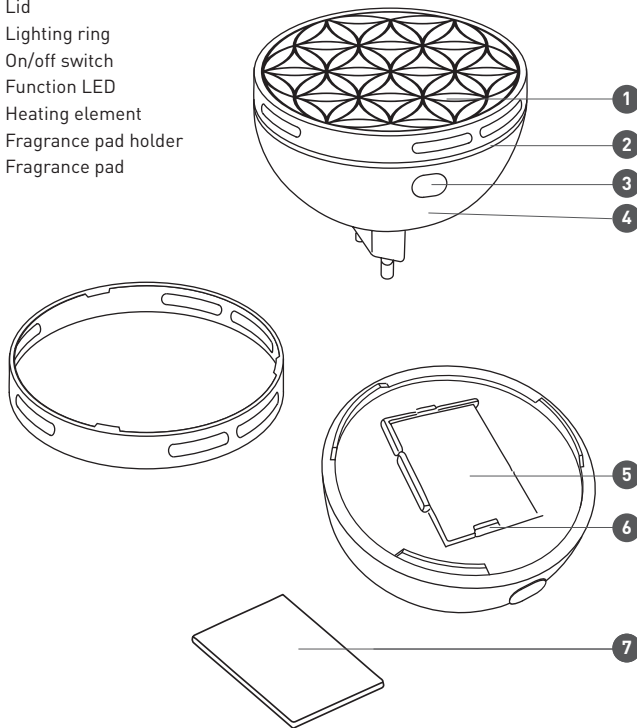
We wish you lots of enjoyment and wonderfully fragrant hours with this versatile and easy-to-use fragrance device.

More information about this product can be found on our website at www.primaveralife.com.

Fragrant greetings from nature's paradise in the Allgäu region of southern Germany.
Your PRIMAVERA team

Product Description

- 1 Lid
- 2 Lighting ring
- 3 On/off switch
- 4 Function LED
- 5 Heating element
- 6 Fragrance pad holder
- 7 Fragrance pad

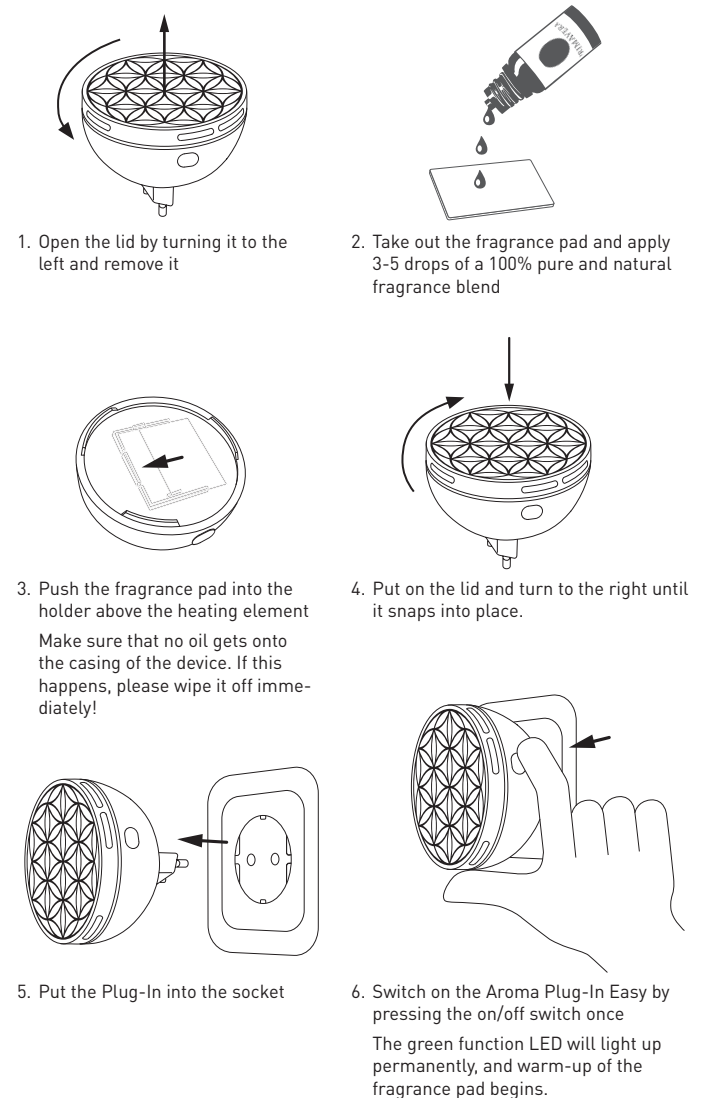


The easy fragrance solution for the power socket

- Easy, quick, and silent use without water
- Compact size for the home and on the road
- Harmonious design of the Flower of Life with warm LED lighting
- Includes: 5 spare fragrance pads made from plant-based

Using the device

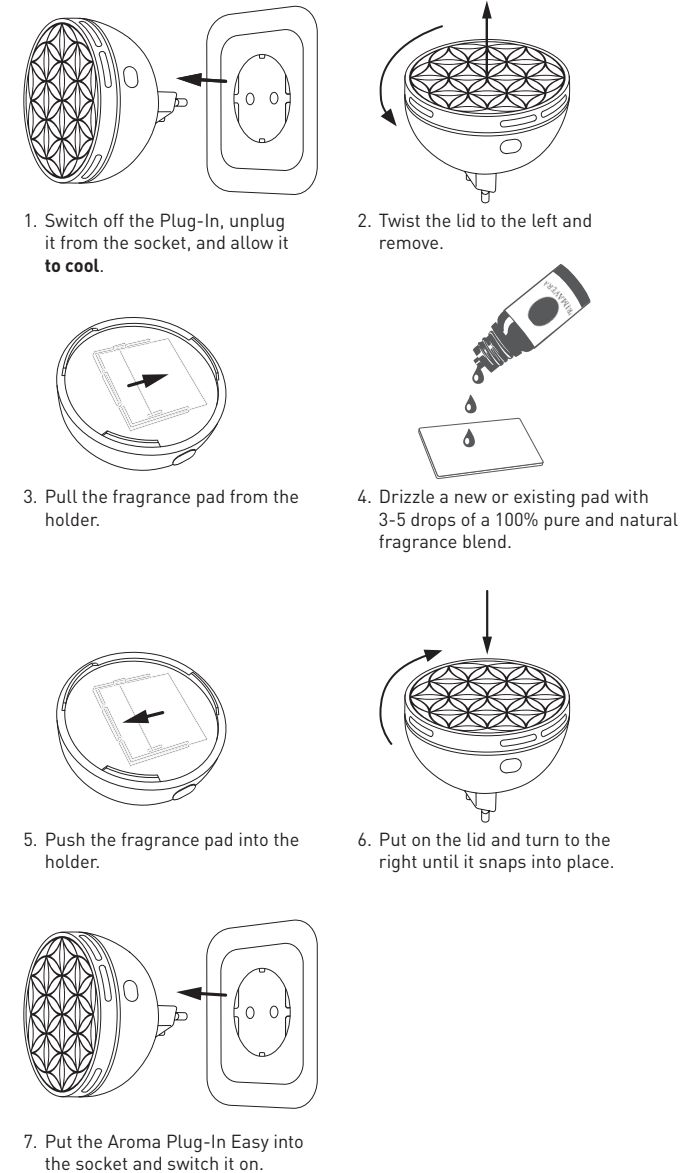
Before using the Plug-In for the first time, remove the protective film from the lid!



Attention

- Always switch off the fragrance plug, unplug it, and allow it to cool down after use and before refilling!
- Each time you change the pad or add fragrance, switch it off, unplug it, and allow it to cool down.

Applying fragrance to the pad or swapping it



Settings

Operating mode button:

- To switch on the device, press once.
- As long as the device is on, the green function LED next to the pressure switch will light up.
- The heating element will start warming up the fragrance pad.
- The device automatically switches off after 2 hours.
- Pressing the button a second time switches the device off at any time before the end of the 2 hrs timer mode.

Light mode button:

- By switching on the Aroma Plug-In Easy, the surrounding ring will automatically glow warm white.
- The device automatically switches off after 2 hours.
- The lighting can be switched off and on again with a long press of the button. This does not affect the 2-hour timer.

Cleaning and care

- Please clean the device **after each use** and before each fragrance change.
- Switch off the device and disconnect from the power source.
- Take off the lid and remove the pad.
- Clean the lid and the casing with a dry, clean cloth.
- Ensure that no liquid gets inside of the device.
- Do not use corrosive, caustic, or abrasive cleaning agents.
- Do not submerge the device in water or any other liquid.

Notes

- Always only use one pad at a time.
- Use a new pad for each fragrance change.
- The device comes with 5 pads for a quick change of fragrance.
- Please always only use PRIMAVERA's original spare pads.

The spare pad set consists of 10 spare pads made from plant-based pulp. You can obtain these from retailers or in our online shop at www.primaveralife.com.



Instructions for use in a child's room

If you use the Aroma Plug-In Easy in a child's room, please ensure that the fragrance time (30 minutes) as well as the number of drops of natural fragrance blend used (1-2 drops) are kept to a minimum and that the room is sufficiently ventilated after use.