

Mandatory Safety

Caution:

- Please carefully read the instruction manual provided before you use this product, and never use it for purposes other than those listed here.
- Remove all outer packaging before use.
- In order to avoid damage to the product, please only use the USB cable provided or, if needed, the USB power adapter optionally available from PRIMAVERA.
- When unplugging the device, hold it and the power adapter firmly in your hand. Do not pull on the cable!
- If the unit is not being used for an extended period of time: unplug the power adapter, empty out the water, clean the unit and allow to dry completely.
- Hold it upright in your hand during use. After using, close the cover tightly. This is the only way leak protection is guaranteed.
- The precautions listed in this user manual are to guarantee the safe and proper use of the Aroma Diffuser, and thereby to protect the user or other persons from any danger and the device from damage. Be sure to follow these instructions.

Warning:



- This device is not intended for use by persons with reduced physical, sensory or cognitive capacities, unless they have been trained to use the device correctly and have understood the risks involved.



- In the event of smoke, an abnormal smell, unusual sounds or other anomalies, stop using the product immediately and unplug the device.



- Do not modify, fix, or dismantle this product, as fire, electric shock, or damage may occur.



- When this device is not being used for a longer period of time, it must be unplugged from the electrical socket and any remaining water removed. Otherwise it may malfunction, or an electric shock may occur.

- This device must be disconnected from the power source before it is cleaned or serviced.

- Please avoid dripping the essential oil onto the exterior of the device or onto furniture. If this does accidentally occur, wipe off immediately to avoid discoloration of the exterior of the product or the furniture.

- This product is not medical equipment. Use only as a fragrance device, it is not intended for inhalation.

- In the event of pregnancy, lung disease, cancer, epilepsy, or other illnesses, please consult your doctor or non-medical practitioner. Stop using the product and open the windows for ventilation if you start to feel unwell.

- In case of undesirable skin or eye reactions, please stop the misting immediately and consult a doctor as needed.

- Do not handle the main unit and outlet with wet hands, or let water or other liquids spill onto them, as this may result in electric shocks.



This product is NOT a toy. Not suitable for use by children. Keep the device, all parts/components, and the power cable out of the reach of children. Children should be properly supervised to ensure that they will not play with this product.

This Aroma Diffuser is to be used under adult supervision only. Please read the detailed instructions and cautionary information before using this for the first time!

Small parts included may be swallowed and cause suffocation. Therefore, these parts should not be stored within reach of children.

Do not spray mist into your eyes or mouth!

To avoid fire, electric shock, injury or damage, do not place the product in the areas listed below:

- **Environments exposed to direct sunlight or temperatures under 10 °C and over 30 °C**
- **Near sources of ignition**
- **Near pressurized containers and combustibles.**

Caution:

1. The unit should be held upright in your hand or set up in a safe place and on a firm, non-tilting base. Do not place on carpets, rugs, wooden/polished furniture, or uneven or unstable surfaces.
2. Use a suitable measuring cup to fill the water tank with water. Never attempt to fill directly under a running tap. Always switch off the device and remove the power cable before filling!
3. Please pay attention to the maximum fill level indicator and do not overfill the tank, to avoid damage to the device.
4. For best results, we recommend that you use 100% pure essential oils or blends. Artificial fragrances and aromas might soil or damage the unit.
5. Do not use any viscous or strongly coloring essential oils, as the device may sustain damage.
6. Please do not use liquids other than distilled water or tap water at room temperature and 100% pure essential oils or blends.
7. Continuous use of the Aroma Diffuser may damage the product in the long term and shorten its lifetime.
8. Do not cover the device or remove the lid when the Aroma Diffuser is in operation.
9. Device should only be used indoors. Not intended for use in wet rooms.
10. Do not immerse in water or other liquids.
11. If the device falls down, shut it off and unplug it.
12. After use, switch off the device, pour out the water, clean the device, and store it in a dry place.
13. This device is intended for PERSONAL USE ONLY. It must only be used for the purposes described here. Only use the accessories recommended by the manufacturer. This is especially applicable for the USB adapter, optionally available from PRIMAVERA.
14. If any damage occurs to electrical parts, especially if the power cable is faulty, do not operate the device. In this case, please contact us or have the device repaired by authorized specialized personnel. Please do not under any circumstances open the device or electrical parts yourself, and do not modify the device. The permanently installed Li-Ion battery is not replaceable and can only be removed for disposal.

Safety Advice for the Use of Essential Oils and Fragrance Blends

Please carefully read the instructions provided and the information on the label of your essential oils and fragrance blends.

Please do not use viscous or strongly coloring essential oils, as the device may sustain damage. You can obtain more information on this from PRIMAVERA customer service.

Disposal

Please do not dispose of this fragrance device in general household waste but instead take it to an appropriate recycling collection point. These collection points are regulated according to 2002/96/EC and 2006/66/EC, subject to country and legislation.

We reserve the right to make technical changes to the Aroma Diffuser and any substantive changes to these instructions.



Li-Ion

This device contains a permanently installed Lithium-ion battery which cannot be replaced, but can be disposed of by removing it with the proper tools.

Disclaimer

We accept no liability for damage resulting from incorrect use of this product or caused by the use of essential oils.

Model:	BLP-017
Capacity:	8 ml of water and 1 – 2 drops of a 100% pure and natural blend
Operating mode:	Interval operation (30 sec. on / 90 sec. off)
Misting rate:	approx. 8 ml per hour
Ultrasonic frequency:	1.7 MHz
Material:	High-quality, BPA-free plastic
USB Port:	DC 5V / 0.6A
Connection type:	USB C
Li-Ion battery:	3.7V 600mAh
Run time:	Battery capacity approx. 8 hours. Water tank capacity approx. 1 hour
Charging time:	Approx. 2 hours (device may NOT be used while charging)
Protection class:	IPX5 (water resistance)
Area covered by scent:	10 - 15 cm from the head area

Battery Information

Regularly charge the battery fully, and do not leave it in a discharged state for longer periods of time. Keep the battery away from heat sources. This is an explosion hazard! Do not use charging devices that are damaged in any way.

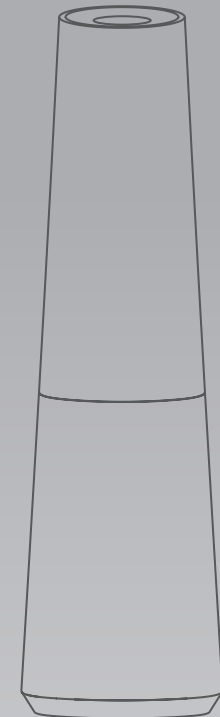
PRIMAVERA LIFE GMBH
Naturparadies 1
87466 Oy-Mittelberg, Germany
www.primaveralife.com



PRIMAVERA®

Petit

AROMA DIFFUSER



Important Information About Usage And Cleaning

Dear Customer,

Thank you for choosing the PRIMAVERA Aroma Diffuser Petit. To make sure you can enjoy this premium, ultrasonic diffuser for as long as possible, please read these instructions carefully and follow all the safety advice exactly.

We wish you lots of enjoyment and many fragrant hours with this versatile, easy-to-use fragrance device.

More information on the product can be found on our website www.primaveralife.com.

Fragrant greetings from nature's paradise at the foot of the Alps, Your PRIMAVERA Team

Always by your side - small, practical, elegant

- Aromatherapy to go, handy and always with you
- Includes an organic cotton pouch for easy transport
- Up to 30 short-duration fragrance runs per water tank filling
- Powerful battery for cordless operation

For Use Near the Body

The Petit Aroma Diffuser is primarily intended for scenting in close proximity to the body. Please pay attention not to spray the mist into eyes, nose or mouth. Hold the unit at a distance of at least 10-15 cm from your face and slowly move it back and forth when you are misting.

For Use in Small Spaces or at Your Desk

You can also use the Petit Aroma Diffuser for room scenting, to a limited extent. It is suitable for scenting approx. 2 m². To do this, set the diffuser on an impervious and steady base and pay attention that the mist cannot condense on sensitive materials or items such as notebooks, documents, etc. The device only mists in battery-operated mode. It cannot be used while charging!

For Use in the Car

The Petit Aroma Diffuser can also be used for quick scenting in the car. Please use the device only before the start or after the end of your drive. Do not operate the device during your drive. Longer-term scenting in the car is not advisable due to the size of the space. Please do not use the fragrance device in the car if you have infants and toddlers. With children, we recommend a short scenting time of no more than 2 intervals. When scenting, please ensure an adequate supply of fresh air.

Do not fill the diffuser whilst in the car. The essential oils and the mist should not come into contact with dashboards, seat covers or other parts within the vehicle. Essential oils can cause stains that may not be removable. If contact with the interior equipment occurs, try to remove the essential oil carefully and quickly with an absorbent cloth. Dishwasher liquid diluted in water can be used to help.

Using the Battery

The built-in battery should always be fully charged. While charging, the function LED on the front will flash. When the battery is fully charged, the LED will display a constant light as long as the USB cable is plugged into the power source. Once the battery is empty, the LED flashes three times.

Using the USB Port

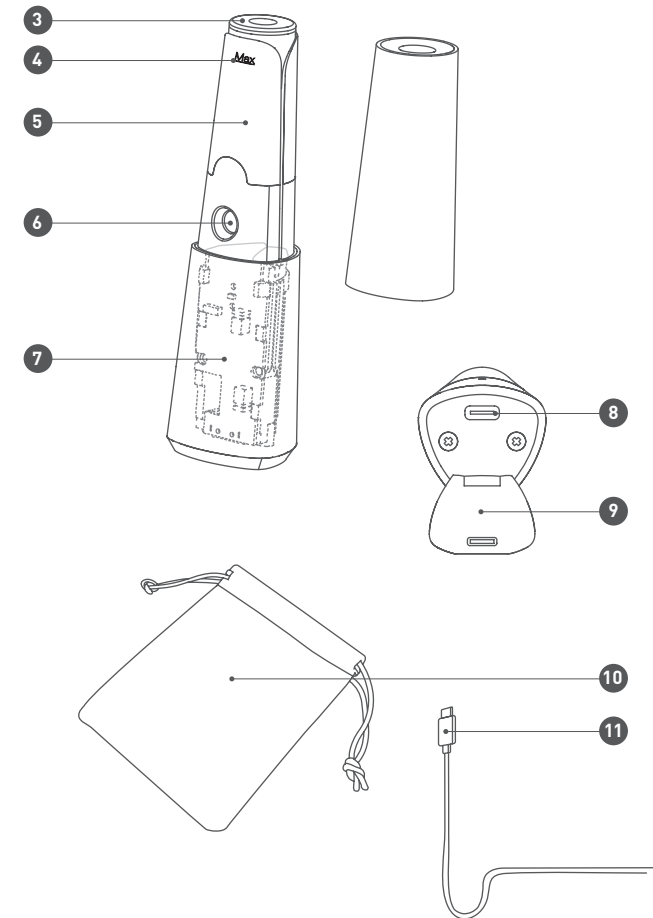
The unit can be connected to any standard USB port (5V) via the USB cable included (e.g. computers, notebooks, USB-outlet, USB power bank or USB power adapter). If needed, you can purchase such an adapter at our online shop, www.primaveralife.com.

Product Description

- 1 Upper cover
- 2 Function LEDs
- 3 Seal of container
- 4 Fill level indicator
- 5 Water tank
- 6 Mist chip / mist nozzle
- 7 Battery
- 8 USB-C port
- 9 Cover

Accessories

- 10 Pouch made of organic cotton
- 11 USB cable



Instructions

1. Open cover on the bottom, connect USB-C cable and charge battery for about 2 hours.
2. Slide upper cover vertically all the way upwards.
3. Pull out seal.
4. Fill the tank with no more than 8 ml distilled or tap water. Pay attention to the MAX fill level indicator.
5. Add 1-2 drops of a PRIMAVERA blend or an individual essential oil to the water.
6. Reinsert the seal.
7. Clean the unit with a soft, dry cloth.
8. Put the upper cover on carefully and without tilting, push it downwards vertically. The markings on the rear must lie over one another.
9. Push the upper cover upward to the snap-in point - the unit will begin diffusing. If you close the upper cover downward - the device will stop diffusing.

Settings

Before using for the first time, please plug the device in with the USB cable and fully charge the battery.

Operating Mode:

- Slide the upper cover vertically upward to the snap-in point.
- The function LED begins to glow and mist emerges from the nozzle.
- The unit initially triggers two bursts of mist to clear the nozzle of any possible contamination. The interval mode begins after that. Initially, the device diffuses for 30 seconds, followed by a 90-second break. This is repeated until the cover is closed again, the water tank is used up, or the device switches off automatically after one hour.
- One tank filling suffices for about one hour of interval operation or 30 individual spray bursts lasting 30 seconds each.
- One fully charged battery suffices for about 8 hours of interval operation or 240 individual spray bursts lasting 30 seconds each. Please note that the water tank will have to be refilled several times for this.

Note:

A slight variation in mist amount produced by different units is expected. Factors affecting the mist amount: water, humidity, temperature, and air flow.

Cleaning And Maintenance

Pay attention that the bottom cover of the USB port is always closed tightly after charging.

1. Remove both covers as described above and pour the water down the drain.
2. Fill the tank with 6 ml water and 2 ml rubbing alcohol, and close both covers.
3. Quickly open and close the cover 3 times to start the cleaning mode with 30 bursts of spray.
4. Remove the cover. Use a cotton swab soaked in rubbing alcohol to carefully clean the mist nozzle and inside of the tank. Then empty the tank.
5. Once again, fill with approx. 8 ml water and close the container with the seal.
6. Shake several times and pour the water out again. Repeat steps 4 and 5 several times and then allow all parts to dry.

Caution:

- Please always make sure to clean **after every use** and every change of scent and then allow it to dry thoroughly.
- Empty out the water used daily!
- Clean the cover and the lower part with a soft cloth.
- Clean the water tank with a soft, damp cotton swab.
- Do not use any corrosive, caustic or abrasive cleaning agents.
- Use a mild dishwashing solution for heavier soiling.
- Carefully scrub the metal nozzle with an alcohol-soaked cotton swab and make sure not to scratch the nozzle.
- Do not immerse the unit in water or other liquids, and wait until it has completely dried before operating it again.