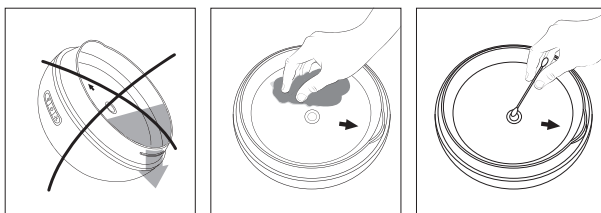
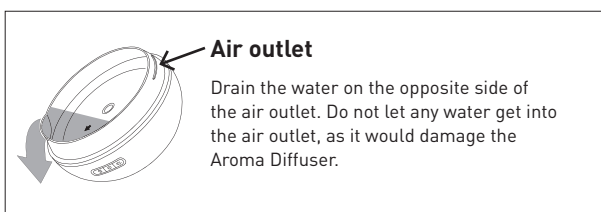


## Cleaning and care

- Please always clean the Aroma Diffuser after each use and before each fragrance change.
- Please replace the used water with fresh water every day.
- Always switch the Aroma Diffuser off and disconnect it from the power supply.
- Remove the outer and inner lids and clean them both with a soft cloth.
- Drain the water in the direction of the arrow on the opposite side of the air outlet. Make sure that no water gets into the interior through the air outlet!
- Clean the water tank with a soft, damp cloth. Do not use any corrosive, caustic, or abrasive cleaning agents. In case of heavy soiling, you can use a mild rinsing agent solution.
- Carefully rub the ceramic disc of the ultrasonic unit with a cotton swab soaked in alcohol, being careful not to scratch it.
- Do not immerse the device in water or other liquids, and only put it back into operation after it has completely dried.
- If you will not be using the device for a long time, please clean it as described above and store it in a dry place.



### Caution:

- Please always make sure to clean **after every use** and every change of scent.
- **Empty the used water daily and remove all deposits and organic films in the container!**



## Instructions for Use in a Child's Room

When using the Aroma Diffuser Feel Happy in a child's room, be sure to limit the scenting time (30 minutes) and to keep the number of aroma oil drops low (3 drops to 200 ml) and to adequately ventilate the room after use.

## Safety advice for the use of essential oils and fragrance blends

### Safety Advice for the Use of Essential Oils and Blends

Please make sure to carefully read the instructions provided and the information on the labels of your essential oils and blends. Please do not use viscous or intensely pigmented essential oils, as these may damage the device. You can obtain more information on this from PRIMAVERA customer service.

## Disposal

If this electrical or electronic device is no longer used, consumers are legally obliged to dispose of it separately from unsorted household waste. Electrical devices are therefore marked with the symbols shown below. You can deposit devices at the public waste management authority collection points or at disposal points set up by the manufacturers and retailers within the meaning of the ElektroG (electrical and electronic equipment law). You can find an online directory of collection and disposal points in Germany at [www.ear-system.de](http://www.ear-system.de). These collection points are regulated according to 2012/19/EU and 2006/66/EC, subject to state and legislation.



## Disclaimer

We accept no liability for damage resulting from incorrect use of this product or caused by the use of essential oils.

Model:	NA-400
Capacity:	200 ml of water and 3–5 drops of a pure, natural essential oil blend
Operating modes:	Continuous operation up to 12 hours   1 hour of continuous operation with automatic shutdown   8 hours of intermittent operation with automatic shutdown
Misting modes:	30 ml   22 ml   15 ml per hour
Light modes:	Continuous color rotation   Select a color   Without light
Ultrasonic frequency:	1.7 MHz
Material:	High quality, BPA-free plastic
Power supply input:	AC 100 – 240 V, 50 / 60 Hz
Power supply output:	DC 24 V, 500 mA, 12 W

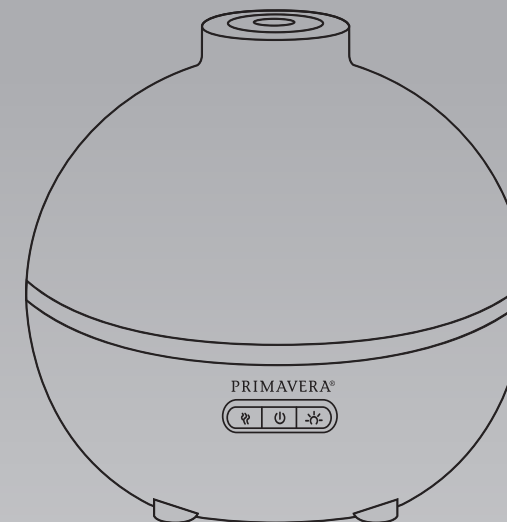
PRIMAVERA LIFE GMBH  
Naturparadies 1  
87466 Oy-Mittelberg  
Germany  
[www.primaveralife.com](http://www.primaveralife.com)



PRIMAVERA®

# Feel Happy

AROMA DIFFUSER



## Important Information About Usage and Cleaning

## Dear Customer,

Thank you for choosing the PRIMAVERA Aroma Diffuser Feel Happy.

To make sure you can enjoy this premium, ultrasonic diffuser for as long as possible, please read these instructions carefully and follow all the safety advice exactly.

We wish you much enjoyment and many fragrant hours with this versatile, easy-to-use fragrance device.

Fragrant greetings from the Allgäu.  
Your PRIMAVERA Team

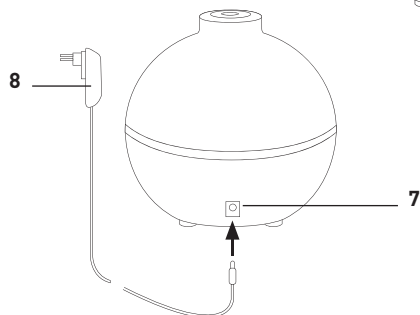
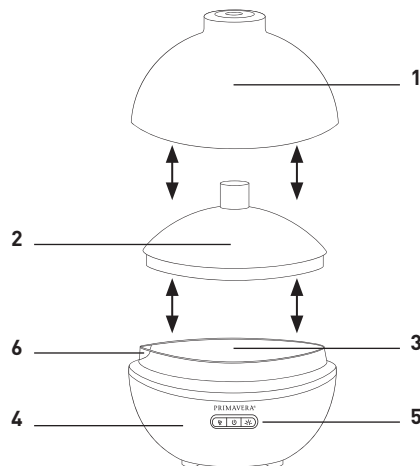
## There are many possibilities

- **3 different misting modes**
- **3 operating modes:** Continuous operation up to 12 hours | 1 hour of continuous operation with automatic shutdown | 8 hours of intermittent operation with automatic shutdown
- **3 light modes:** Continuous color rotation | Select a color | Without light
- Scents spaces up to 30 m<sup>2</sup>.

All functional variants can be freely combined with each other.

## Product description

- 1 Outer lid
- 2 Inner lid
- 3 Container
- 4 Bottom section
- 5 Control panel
- 6 Spout
- 7 Socket
- 8 Power adapter



## How to fill and use the device safely. It is important to follow these instructions!


- This product is NOT a toy. Do not let children use this product. Keep the device, all parts/components, and the power cable out of the reach of children. Children should be properly supervised to ensure that they will not play with this product.
- This device is not intended for use by persons with reduced physical or cognitive capacities without the necessary experience or knowledge, unless they have been trained to use the device correctly by a person responsible for their safety and have understood the risks involved.
- Children may only clean and maintain the device under adult supervision.
- Continuous use of the Aroma Diffuser may damage the product in the long term and shorten its lifetime. Please take a one-hour break after each 12 hours of use.
- Only use as a fragrance device, not for inhalation.
- Do not use any liquids other than water and essential oils.
- Do not use viscous oils, otherwise the device may be damaged.
- When the Aroma Diffuser is in operation, do not cover the device or remove the lid.
- Keep the device upright, in a safe place, and on a firm surface that will not tip over.
- Only use the device indoors within a temperature range of 50 °F to 86 °F. Not suitable for damp areas.
- Do not immerse in water or other liquids.
- If the device has been dropped, unplug it from the power supply.
- After use, switch off the device, pour out the water, clean the device, and store it in a dry place.
- Always drain water through the spout, otherwise liquid may enter the interior of the device. If this occurs, disconnect the device from the power supply immediately and leave to dry for at least 3 days.
- This device is intended for PERSONAL USE ONLY. It must only be used for the purposes described here. Only use the accessories recommended by the manufacturer. This applies in particular to the supplied power adapter.
- If an abnormal odor or noise develops, switch off the device immediately and disconnect it from the power supply.
- If any damage occurs to electrical parts, especially if the power cable is faulty, do not operate the device. In this case, please contact us or have the device repaired by an authorized, qualified person. Please do not open the device or electrical parts yourself under any circumstances, and do not modify the device.

## How to use

### PREPARATION

- Insert the cable into the socket (7).
- Set the Aroma Diffuser on a steady, waterproof, and sturdy surface.
- Remove the outer lid (1).
- Remove the inner lid (2).
- Fill container (3) with a maximum of 200 ml distilled or tap water. The maximum fill is marked by a rim inside. Do not fill directly under the water faucet.



- Add 3–5 drops of a PRIMAVERA fragrance blend or a single essential oil to the water.
- Never pour the essential oil directly into the container or onto the ultrasonic unit.
- Replace the inner (2) and then the outer lid (1).
- Plug the power plug into the power socket.
- Switch on the Aroma Diffuser by pressing on the middle button once. 



The misting will start in continuous operation and in the highest misting mode (30 ml / hour). The ambient LED light is switched off.  
The length of continuous operation depends on the misting mode selected and is a maximum of 12 hours.

### OPERATION

The Aroma Diffuser has 3 function buttons:

#### Operation Mode button (in the middle)

1. Press once to start the diffuser in "Continuous Operation" and in the highest misting mode (30 ml / hour).
2. Press a second time to switch to the "1 Hour Continuous Operation" operating mode.
3. Press a third time to switch to the "8 Hour Interval" mode. In this mode, 25 seconds of misting will alternate with 35 seconds of rest.
4. Press a fourth time to switch off the diffuser completely.



In Mode 1, it will switch off automatically when the water is used up. In Modes 2 and 3, the system will switch off automatically at the end of the program.

#### Light Mode button (right)

1. Press once to switch on the ambient LED light. The illuminated ring will continuously change color in a rainbow sequence.
2. Press a second time to stop at any color. The selected color will glow continuously.
3. Press a third time to switch off the LED color ring.

#### Misting Mode button (left)

1. Press once to switch from 30 ml mode to 22 ml mode.
2. Press a second time to switch to the 15 ml mode.
3. Press a third time to switch to the strongest mode at 30 ml / hour.

### IMPORTANT

The Aroma Diffuser Feel Happy has an automatic switch-off when the water is nearly used up. All functions of the Aroma Diffuser can be freely combined with one another. You can also use the ambient LED lighting without any misting. To do so, just switch on the light with the right button.

#### A special tip:

You can switch off or on the white illumination of the control panel by pressing the middle operation mode button for 3 seconds.