

Cleaning and Care

- Before starting to clean the AromaStream To Go, switch it off with the on/off switch.
- Then unplug the USB cable from the power-supplying device.
- Once off and unplugged, remove the fleece from the holder.
- You can now clean the AromaStream To Go with a soft damp cloth and a mild detergent.
- Please make sure that no water enters the ventilation system and allow the unit to dry completely before using it again.
- Do not immerse the unit in water.
- Do not clean the unit with alcohol, as this may damage it.
- After use, please switch off the unit, disconnect it from the power-supplying device, remove batteries from the battery compartment, clean the unit, and store it in a dry place.

Troubleshooting

Unit does not release fragrance:

PROBABLE CAUSE	REMEDY
Batteries are flat	Insert new batteries or fully recharged batteries in the battery compartment. Do not mix old and new batteries or charged and uncharged batteries.
USB cable not connected properly	Make sure the USB cable is correctly connected to both the AromaStream To Go and the power-supplying device and that the power-supplying device is switched on.
No fleece inserted	Place a fleece, with sufficient fragrance added, in the AromaStream To Go.

Disclaimer

We accept no liability for damage resulting from incorrect use of this product or caused by the use of essential oils.

Safety advice for the use of essential oils and fragrance blends as well as batteries.

Please carefully read the instructions provided and the information on the label of your essential oils and fragrance blends. Please also observe the information on the packaging of the batteries you use.

Disposal

Please do not dispose of this unit and the batteries along with general household waste but take it to a recycling collection point. These collection points are regulated according to 2002/96/EC and 2006/66/EC, subject to country and legislation.



We reserve the right to make technical modifications to the fragrance device and changes to the contents of these instructions.

Model:	GB-332
Fill volume:	5 – 8 drops
Battery:	4,5 V (3 x 1,5 V AAA)
USB:	5 V
Cable length:	1,5 m
Weight:	0,13 kg

Manufacturer:
Green Delta Ltd
c/o Pentone Creations SA/NV
Rue Adolphe Quetelet, 1
7180 Senefve – Belgium

Distributed by:
PRIMAVERA LIFE GMBH
Naturparadies 1
D-87466 Oy-Mittelberg – Germany
www.primaveralife.com



PRIMAVERA®

AromaStream To Go

Your Fragrant Travel Companion

Important Information
About Usage and Cleaning

Dear Customer,

Thank you for choosing the PRIMAVERA AromaStream To Go. To enjoy your AromaStream To Go for as long as possible, please thoroughly read this manual and carefully observe all safety instructions.

We wish you much enjoyment and many fragrant hours with this modern, easy-to-use fragrance device.

Fragrant greetings from our natural paradise in the Allgäu region of Germany,

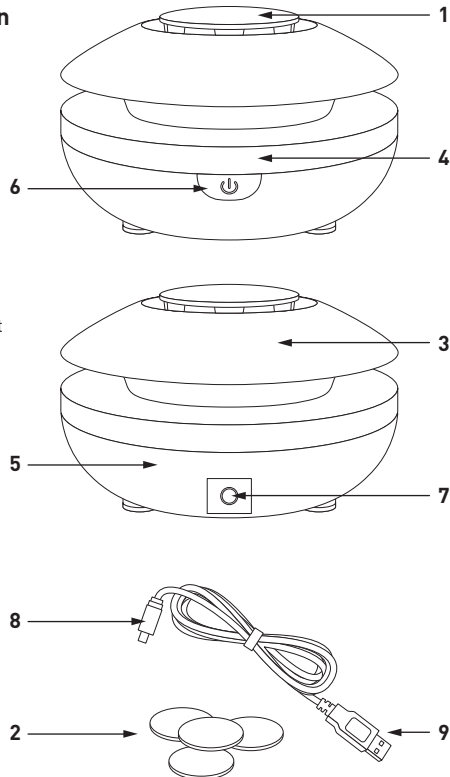
Your PRIMAVERA Team

Features

- Your Fragrant Travel Companion
- Can be used on-the-go thanks to USB connection or batteries
- Easy to fill, easy to use
- Easy to clean
- Includes USB cable
- Includes linen bag for easy transport
- Includes 5 fleeces for adding fragrance

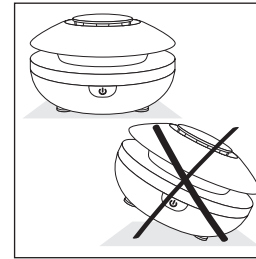
Product Description

- 1 Cover
- 2 Fleece
- 3 Top section
- 4 LED
- 5 Bottom section
- 6 On/Off switch
- 7 Socket
- 8 USB cable
- 9 USB connector
- 10 Battery compartment



How to Fill and Use the Unit Safely. It is important to follow these instructions!

- This unit may be used by children aged 8 years and over and by persons with reduced physical, sensory or mental capabilities if they have been instructed in the safe use of the unit and understand the associated hazards.
- Children must not play with the unit.
- Children may only clean and maintain the device under supervision.
- Constant use of the AromaStream To Go may damage the product in the long term and shorten its lifetime.
- Therefore please observe an intermission of 30 minutes after a period of use of 4 hours.
- Only use the fleeces provided.
- Only use as a fragrance device, not for inhalation.
- When the AromaStream To Go is in use, the cover must be off.
- Keep the unit upright, in a safe place, and on a firm surface that will not tip over.
- Only use the unit indoors within a temperature range of 10 °C to 30 °C.
- Do not immerse in water or other liquids.
- If the unit falls to the ground, immediately disconnect it from the power-supplying device (e.g. laptop).

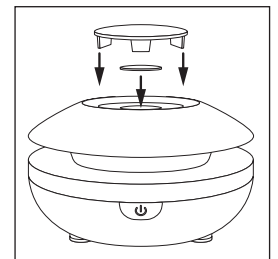
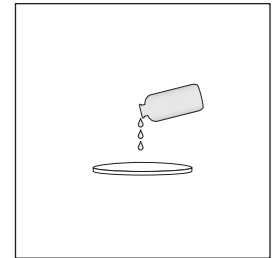
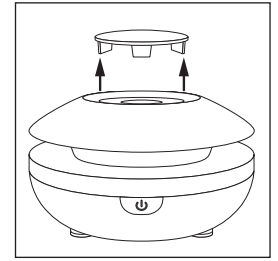


- After use, switch off, disconnect from the power-supplying device, remove the fleece, clean the unit, and store it in a dry place.
- Always make sure the unit is switched off before inserting a fragranced fleece.
- Never add fragrance to the fleece while it is inside the unit; always take the fleece out first.
- Add 5 – 8 drops of a 100 % natural essential oil or PRIMAVERA fragrance blend to the fleece. Do not dilute with water or alcohol!
- Do not open the unit while in use.
- This device is intended for PERSONAL USE ONLY. It must only be used for the purposes described here. Only use the accessories recommended by the manufacturer.
- If an abnormal odor or noise develops, switch off the unit immediately and disconnect it from the power-supplying device!
- Only have the unit repaired by a qualified person.
- No liability is accepted for damage caused by incorrect use.
- If any damage occurs to electrical parts, especially if the power cable is faulty, the unit must not be operated. In this case please contact us or have the unit repaired by an authorized, qualified person. Please do not open the unit or electrical parts yourself under any circumstances, and do not modify the unit as this will invalidate any warranty or warranty claims.

How to Use

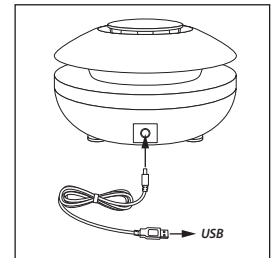
PREPARATION

- Remove the cover and take out the fleece.
- Add 5 – 8 drops of a 100 % natural essential oil or PRIMAVERA fragrance blend to the fleece.
- Replace the fleece and close the cover.
- Connect the USB cable to the AromaStream To Go and a power-supplying device, such as a laptop.
- Alternatively, use batteries. The unit requires 3 x 1.4 V AAA batteries. These are not supplied with the unit. We recommend environmentally friendly, rechargeable NiMH batteries. Insert three AAA batteries in the battery compartment on the underside of the AromaStream To Go. Be careful not to mix up the batteries' electrical polarity!



SWITCHING ON/OFF

- Press the on/off switch to switch on the ventilation and light function of the AromaStream To Go.
- The fragrance is now distributed by ventilation. The LED light is permanently switched on.
- Press the on/off switch again to switch the unit off.



RECOMMENDATION

We recommend replacing the fleeces regularly. A fresh fleece should be used for different essential oils and fragrance blends. Please use only original fleeces. These are available from specialist retailers or directly from the PRIMAVERA online shop at www.primaveralife.com

